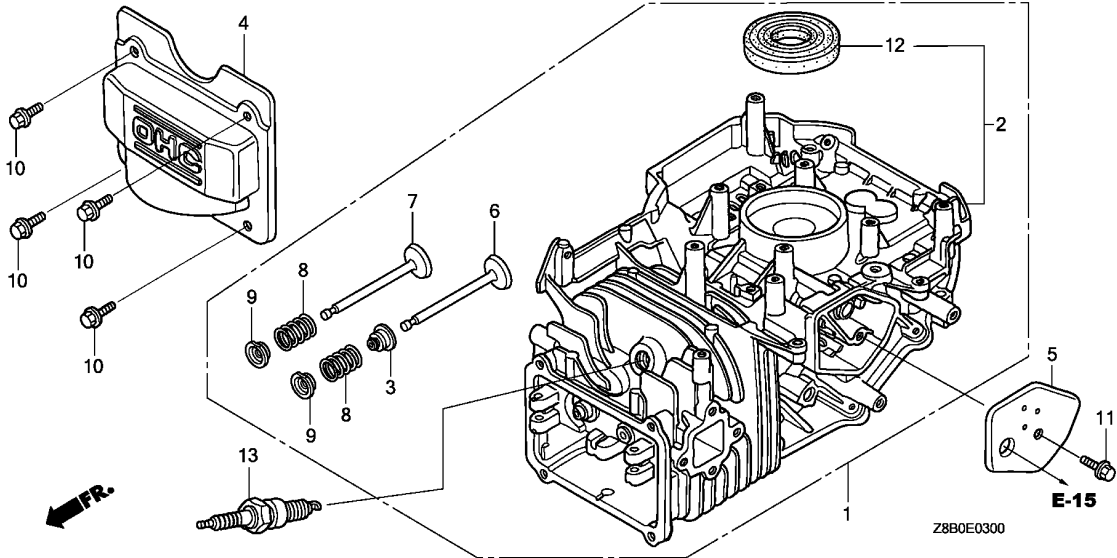
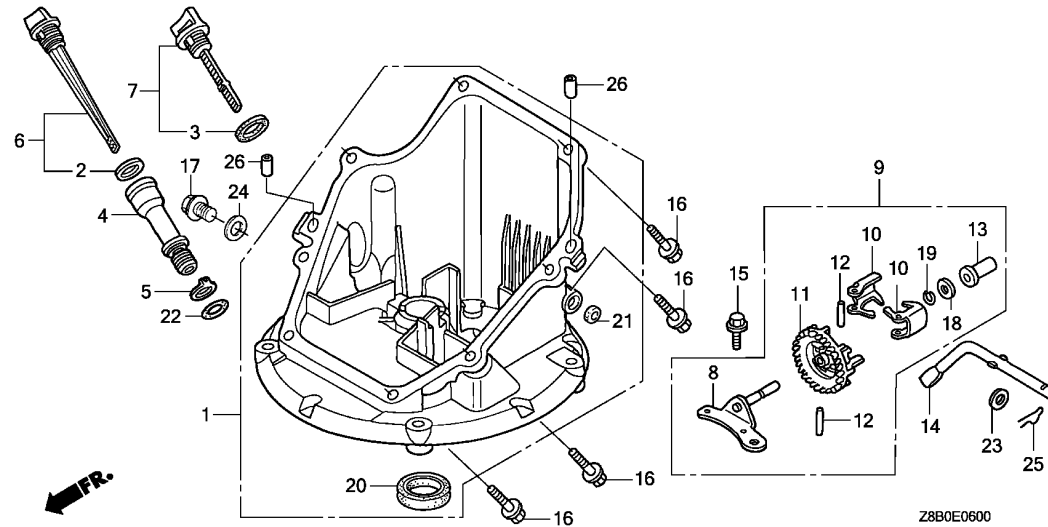


# CYLINDER BARREL



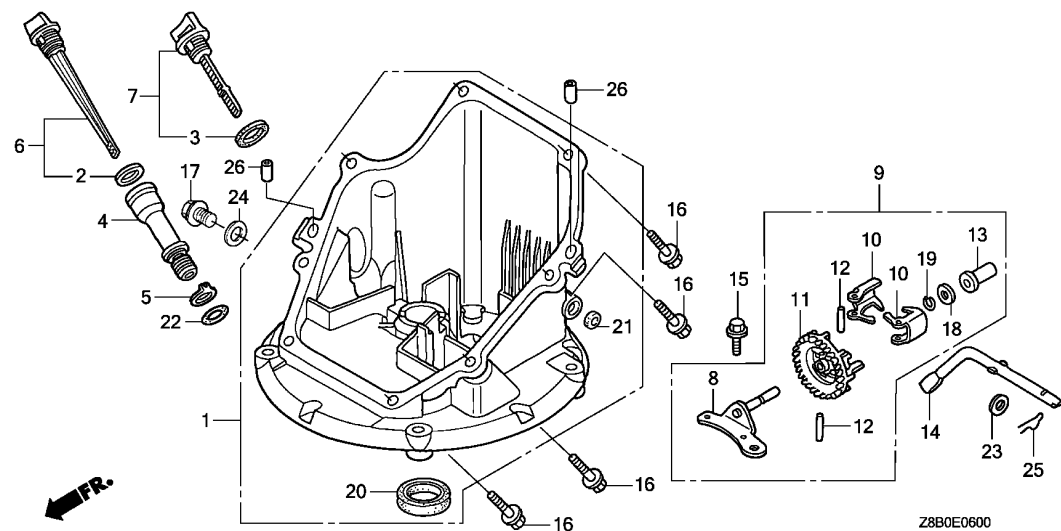
Ref. No.	Part No.	Description	Reqd. QTY		Serial No.	Parts catalogue code
			GCV 160 LA			
1	12000-ZL8-425	BARREL ASSY., CYLINDER	1	-----	A1A,A1AF,A2R,BHH,N1A,N1AF,N5AF,N5MF,N5R,N7A1,N7S1,S1A,S3A	
2	12000-ZOL-405	BARREL ASSY., CYLINDER	1	-----	E1A2,R3A	
	12000-ZOL-406	.....	1	-----	S1M,S3H	
3	12209-ZM0-003	SEAL, VALVE STEM	1			
4	12311-ZL8-000	COVER, HEAD	1			
5	12355-ZL8-000	COVER COMP., BREATHER	1			
6	14711-ZOJ-000	VALVE, IN.	1			
7	14721-ZL8-000	VALVE, EX.	1			
8	14751-ZL8-000	SPRING, VALVE	2			
9	14771-ZOJ-000	RETAINER, VALVE SPRING	2			
10	90013-883-000	BOLT, FLANGE, 6X12(CT200)	4			
11	90014-952-000	BOLT, FLANGE, 6X14(CT200)	1			
12	91201-ZL8-003	OIL SEAL, 25.4X62X6	1			
13	98079-56846	PLUG, SPARK (BPR6ES)(NGK)	1			

# OIL PAN



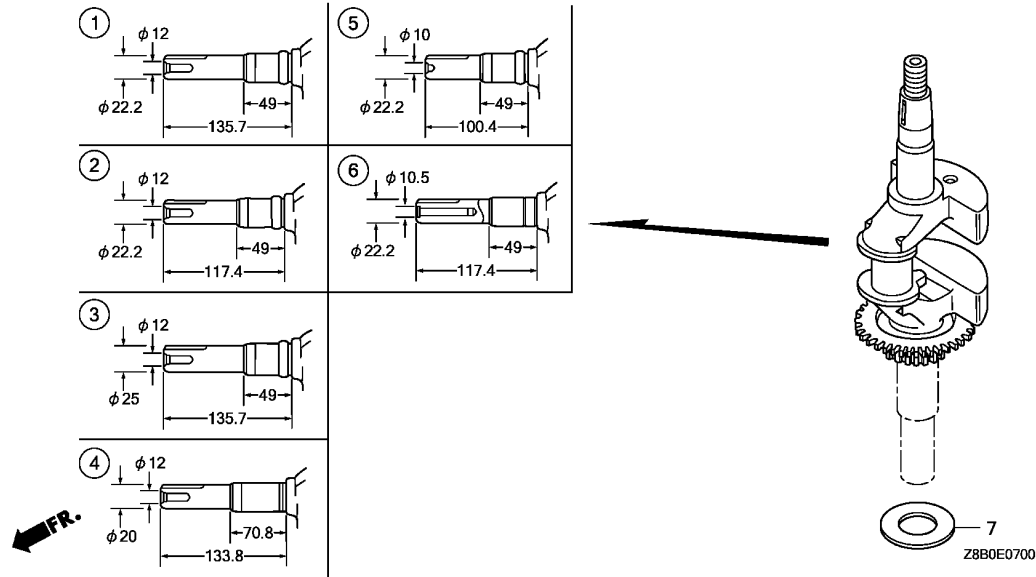
Ref. No.	Part No.	Description	Reqd. QTY		Serial No.	Parts catalogue code
			GCV	160		
				LA		
1	11300-ZM0-405	PAN ASSY., OIL .....	1	-----	A1A,A1AF,BHH,E1A2,R3A,S1A,S1M,S3A,S3H	
	11300-ZM0-407	.....	1	-----	A2R,N5R	
	11300-ZOL-405	.....	1	-----	N1A,N1AF,N5AF,N5MF	
	11300-ZOM-405	.....	1	-----	N7A1,N7S1	
2	15625-ZE6-000	PACKING, OIL FILLER CAP .....	1	-----	BHH,E1A2,N7A1,N7S1,R3A,S1M,S3A,S3H	
3	15625-Z2L-801	PACKING, OIL FILLER CAP .....	1	-----	A1A,A1AF,A2R,N1A,N1AF,N5AF,N5MF,N5R,S1A	
4	15631-ZM0-000	EXTENSION, OIL FILLER .....	1	-----	BHH,N7A1,N7S1,S1M,S3A,S3H	
	15631-ZOL-820	.....	1	-----	E1A2,R3A	
5	15639-ZM0-000	WASHER, EXTENSION LOCK .....	1	-----	BHH,E1A2,N7A1,N7S1,R3A,S1M,S3A,S3H	
6	15650-ZM0-801	GAUGE ASSY., OIL LEVEL .....	1	-----	BHH,N7A1,N7S1,S1M,S3A,S3H	
	15650-ZOL-820	.....	1	-----	E1A2,R3A	
7	15650-ZOL-000	GAUGE ASSY., OIL LEVEL .....	1	-----	A1A,A1AF,A2R,N1A,N1AF,N5AF,N5MF,N5R,S1A	
8	16508-ZM0-010	SHAFT COMP., GOVERNOR HOLDER .....	1	-----		
9	16510-ZM0-010	GOVERNOR ASSY. ....	1	-----		
10	16511-ZL8-000	WEIGHT, GOVERNOR .....	2	-----		
11	16512-ZM0-000	HOLDER, GOVERNOR WEIGHT .....	1	-----		
12	16513-ZE1-000	PIN, GOVERNOR WEIGHT .....	2	-----		
13	16531-ZE1-000	SLIDER, GOVERNOR .....	1	-----		
14	16541-ZM0-000	SHAFT, GOVERNOR ARM .....	1	-----		
15	90014-952-000	BOLT, FLANGE, 6X14(CT200) ...	1	-----		
16	90121-952-000	BOLT, FLANGE, 6X25(CT200) ...	8	-----		
17	90131-883-000	BOLT, DRAIN PLUG, 12X15 .....	1	-----	N1A,N1AF,N5AF,N5MF	
18	90451-ZE1-000	WASHER, THRUST, 6MM .....	1	-----		
19	90602-ZE1-000	CLIP, GOVERNOR HOLDER .....	1	-----		
20	91202-ZL8-003	OIL SEAL, 28X41.25X6 .....	1	-----	A1A,A1AF,BHH,E1A2,N7A1,N7S1,R3A,S1A,S1M,S3A,S3H	
	91202-ZM0-V31	.....	1	-----	A2R,N1A,N1AF,N5AF,N5MF,N5R	

# OIL PAN



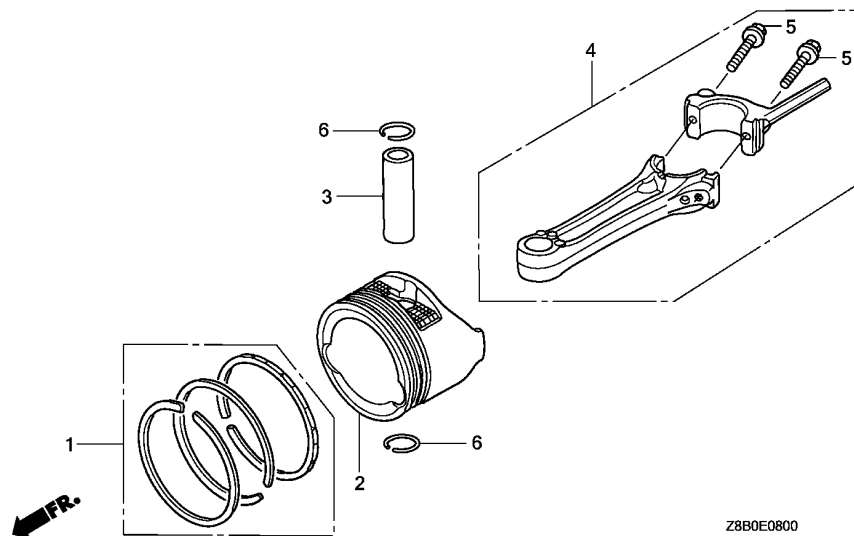
Ref. No.	Part No.	Description	Reqd. QTY		Serial No.	Parts catalogue code
			GCV 160 LA			
21	91231-891-003	OIL SEAL, 6X11X4 .....	1	-----	N7A1,N7S1	
22	91303-KF0-003	O-RING, 14.8X2.4 (ARAI) .....	1	-----	BHH,E1A2,N7A1,N7S1,R3A,S1M,S3A,S3H	
23	94101-06800	WASHER, PLAIN, 6MM .....	1	-----		
24	94109-12000	WASHER, DRAIN PLUG, 12MM .....	1	-----	N1A,N1AF,N5AF,N5MF	
25	94251-08000	PIN, LOCK, 8MM .....	1	-----		
26	94301-08200	DOWEL PIN, 8X20 .....	2	-----		

# CRANKSHAFT



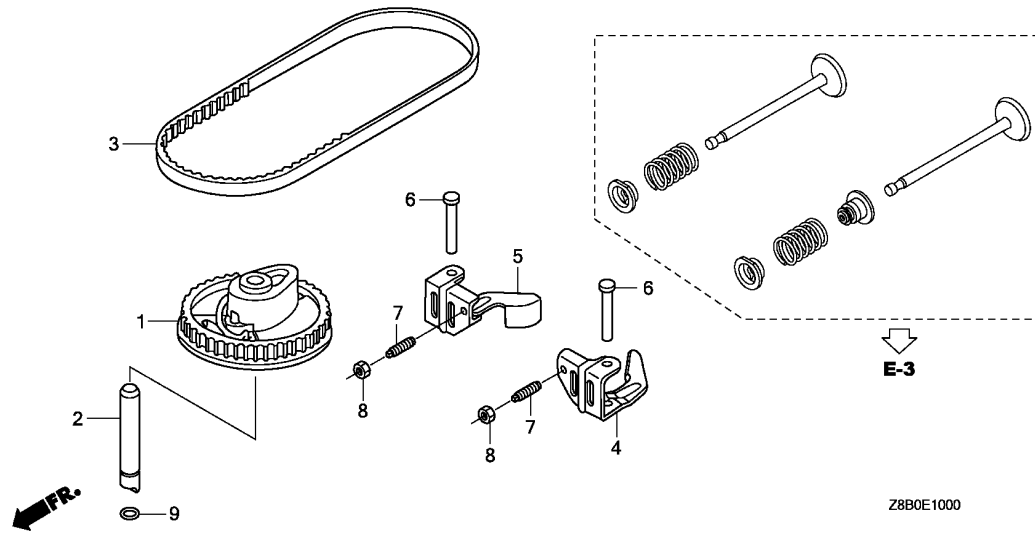
Ref. No.	Part No.	Description	Reqd. QTY		Serial No.	Parts catalogue code
			GCV	LA		
1	13310-ZM0-000	CRANKSHAFT COMP. ....	1	-----	-----	A1A,A1AF,E1A2,N1A,N1AF,S1A,S1M
2	13310-ZM0-600	CRANKSHAFT COMP. ....	1	-----	-----	A2R
3	13310-ZM0-610	CRANKSHAFT COMP. ....	1	-----	-----	R3A,S3A,S3H
4	13310-ZM0-640	CRANKSHAFT COMP. ....	1	-----	-----	BHH
5	13310-ZOL-650	CRANKSHAFT COMP. ....	1	-----	-----	N5AF,N5MF,N5R
6	13310-ZOL-780	CRANKSHAFT COMP. ....	1	-----	-----	N7A1,N7S1
7	90402-ZL8-000	WASHER, THRUST .....	1	-----	-----	

# PISTON/CONNECTING ROD



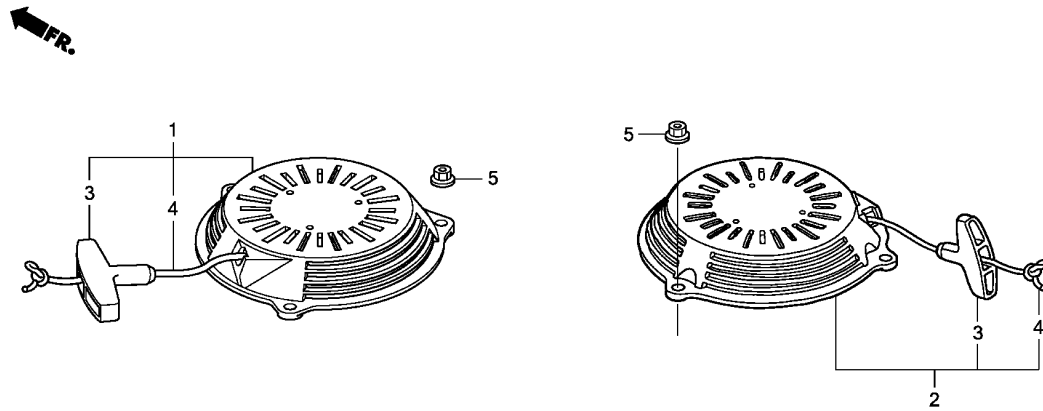
Ref. No.	Part No.	Description	Reqd. QTY		Serial No.	Parts catalogue code
			GCV	LA		
1	13010-ZOL-014	RING SET, PISTON (STD.) (TEIKOKU)	1			
2	13101-Z2A-010	PISTON .....	1			
3	13111-ZE0-000	PIN, PISTON .....	1			
4	13200-ZOJ-000	ROD ASSY., CONNECTING .....	1			
5	90001-ZE1-000	BOLT, CONNECTING ROD .....	2			
6	90551-ZE0-000	CLIP, PISTON PIN, 13MM .....	2			

# CAMSHAFT PULLEY



Ref. No.	Part No.	Description	Reqd. QTY		Serial No.	Parts catalogue code
			GCV 160 LA			
1	14320-ZL8-010	PULLEY COMP., CAMSHAFT .....	1			
2	14324-ZL8-000	SHAFT, CAM PULLEY .....	1			
3	14400-ZOJ-014	BELT, TIMING (84HU7 G-200) ..	1			
4	14431-ZOJ-000	ARM, IN. VALVE ROCKER .....	1			
5	14441-ZOJ-000	ARM, EX. VALVE ROCKER .....	1			
6	14461-ZL8-000	SHAFT, ROCKER ARM .....	2			
7	90012-333-000	SCREW, TAPPET ADJUSTING .....	2			
8	90206-001-000	NUT, TAPPET ADJUSTING .....	2			
9	91301-ZM0-V31	O-RING, 6.8X1.9(ARAI) .....	1			

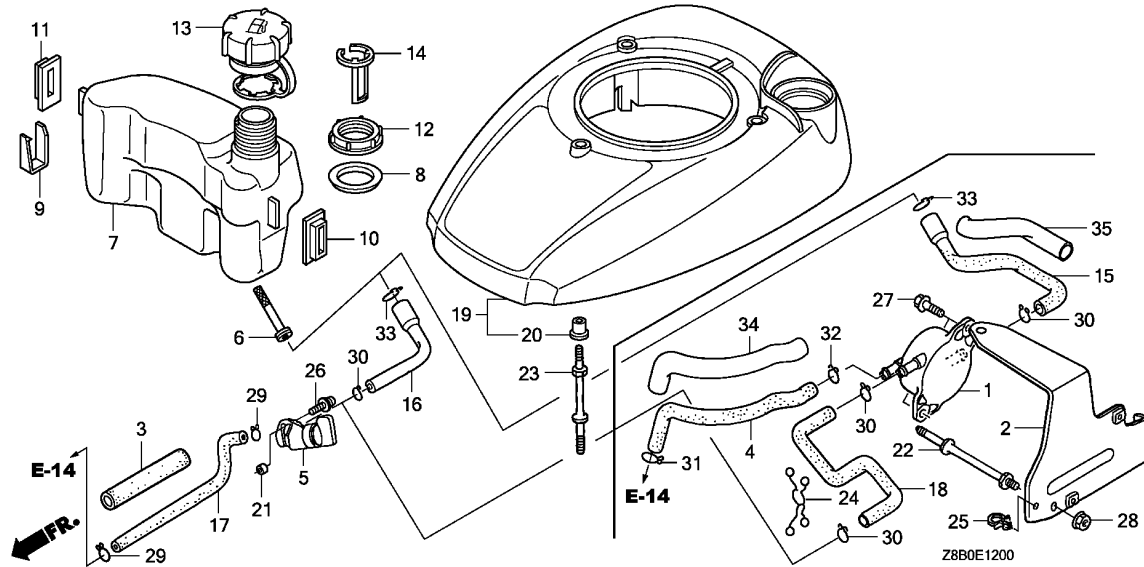
# RECOIL STARTER



Z8B0E1100

Ref. No.	Part No.	Description	Reqd. QTY	Serial No.	Parts catalogue code
			GCV 160 LA		
1	28400-ZL8-023ZA	STARTER ASSY., RECOIL	1	-----	N1AF,N5AF,N5MF,N7A1,N7S1
		*NH1*.....BLACK	1	-----	N5R
	28400-ZL8-023ZC	*R280*.....POWER RED	1	-----	
2	28400-ZL8-023ZA	STARTER ASSY., RECOIL	1	-----	A2R,N1A
		*NH1*.....BLACK	1	-----	
	28400-ZM0-633ZA	STARTER ASSY., RECOIL (LONG ROPE)	1	-----	A1A,A1AF,E1A2,R3A,S1A,S3H
		*NH1*.....BLACK	1	-----	R3A
	28400-ZM0-633ZC	*YR288*.....WOLF ORANGE	1	-----	E1A2,R3A
	28400-ZM0-633ZD	*R280*.....POWER RED	1	-----	S1M,S3H
	28400-ZM0-633ZE	*T98*.....MTD RED	1	-----	BHH,S3A
	28400-ZOL-V20ZA	*NH1*.....BLACK	1	-----	S3A
	28400-ZOL-V20ZC	*T98*.....MTD RED	1	-----	
3	28461-ZL8-003	GRIP, STARTER	1	-----	
4	28462-ZL8-003	ROPE, RECOIL STARTER	1	-----	A2R,N1A,N1AF,N5AF,N5MF,N5R,N7A1,N7S1
	28462-ZL8-631	ROPE, RECOIL STARTER	1	-----	
		(LONG TYPE)	1	-----	A1A,A1AF,E1A2,R3A,S1A,S1M,S3H
	28462-ZOL-V20	ROPE, RECOIL STARTER (BLACK)	1	-----	
		(LONG TYPE)	1	-----	BHH,S3A
5	90201-ZM0-000	NUT, FLANGE, 6MM	3	-----	

# FAN COVER



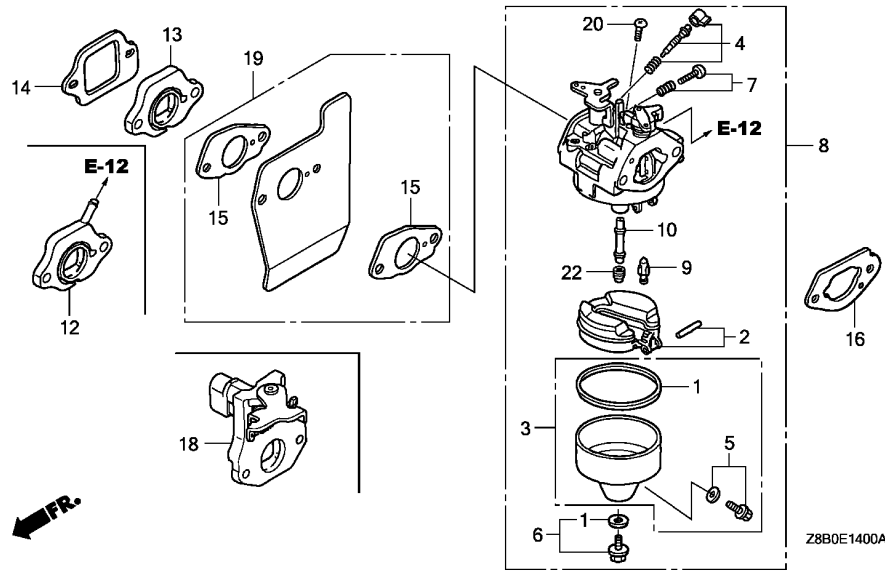
Ref. No.	Part No.	Description	Reqd. QTY		Serial No.	Parts catalogue code
			GCV 160 LA			
1	16700-ZOM-782	PUMP ASSY., FUEL .....	1		N7A1,N7S1	
2	16711-ZOL-781	STAY, FUEL PUMP .....	1		N7A1,N7S1	
3	16854-ZH8-000	RUBBER, SUPPORTER (107MM) ...	1			
4	16882-ZOL-780	TUBE, DIAPHRAGM .....	1		N7A1,N7S1	
5	16950-ZMO-003	COCK ASSY., FUEL .....	1			
6	16952-ZA8-800	STRAINER, FUEL .....	1			
7	17511-ZOL-000	TANK, FUEL .....	1			
8	17514-ZOL-000	SEAL, FUEL FILLER NECK .....	1			
9	17516-ZOL-000	CLIP, TANK MOUNTING .....	1			
10	17532-ZOL-000	RUBBER A, TANK MOUNTING .....	1			
11	17533-ZOL-000	RUBBER B, TANK MOUNTING .....	1			
12	17534-ZOL-000	NUT, TANK MOUNTING .....	1			
13	17620-ZOJ-800	CAP ASSY., FUEL TANK .....	1			
14	17636-ZOL-000	GAUGE, FUEL LEVEL .....	1			
15	17701-ZOL-780	TUBE, FUEL TANK .....	1		N7A1,N7S1	
16	17701-ZOL-810	TUBE, FUEL TANK .....	1		A1A,A1AF,A2R,BHH,E1A2,N1A,N1AF,N5AF,N5MF,N5R,R3A,S1A,S1M,S3A,S3H	
17	17702-ZMO-800	TUBE, FUEL .....	1			
18	17703-ZOL-790	TUBE B, FUEL .....	1		N7A1,N7S1	
19	19610-ZOL-850ZA	COVER COMP., FAN				
		*NH1*.....BLACK	1		A1A,A1AF,A2R,BHH,N1A,N1AF,N5AF,N5MF,N7A1,N7S1,S3H	
	19610-ZOL-850ZB	*T89*.....CRAFTSMAN RED	1		BHH	
	19610-ZOL-850ZC	*T93*.....HUSQVARNA GRAY	1		BHH	
	19610-ZOL-850ZD	*T98*.....MTD RED	1		S1M,S3H	
	19610-ZOL-850ZE	*R280*.....POWER RED	1		N5R	
	19610-ZOL-860ZA	*NH1*.....BLACK	1		S1A,S3A	
	19610-ZOL-860ZC	*T89*.....CRAFTSMAN RED	1		S3A	



# FAN COVER

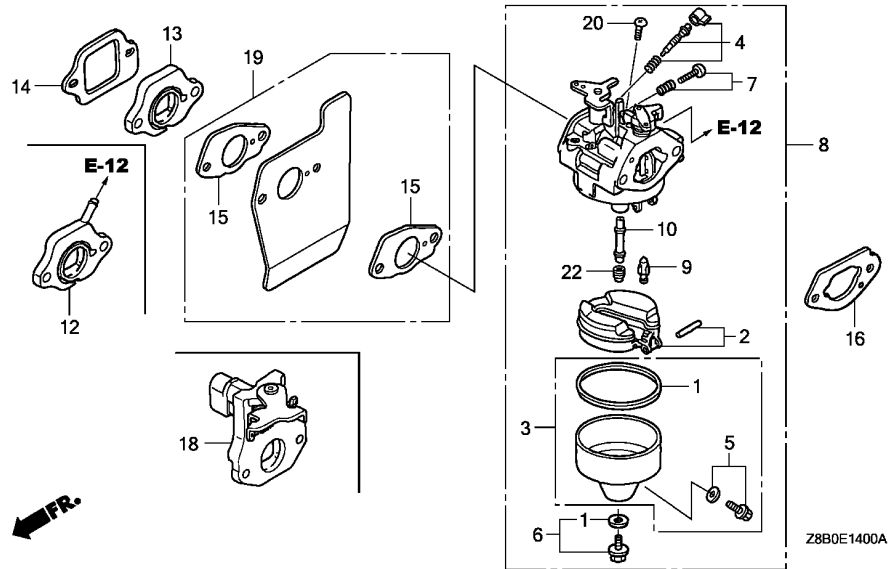
Ref. No.	Part No.	Description	Reqd. QTY		Serial No.	Parts catalogue code
			GCV 160 LA			
19)	19610-ZOL-860ZD	COVER COMP., FAN				
		*T93*.....HUSQVARNA GRAY	1	-----	-----	S3A
	19610-ZOL-860ZE	*T98*.....MTD RED	1	-----	-----	S3A
	19610-ZOL-870ZA	*NH1*.....BLACK	1	-----	-----	E1A2
	19610-ZOL-870ZB	*R280*.....POWER RED	1	-----	-----	E1A2
	19610-ZOL-880ZA	*NH1*.....BLACK	1	-----	-----	R3A
	19610-ZOL-880ZB	*R280*.....POWER RED	1	-----	-----	R3A
	19610-ZOL-880ZC	*T89*.....CRAFTSMAN RED	1	-----	-----	R3A
	19610-ZOL-880ZD	*T90*.....EHP ORANGE	1	-----	-----	R3A
	19610-ZOL-880ZE	*Y166R*.....WOLF YELLOW	1	-----	-----	R3A
20	19619-ZL8-300	COLLAR, FAN COVER .....	3			
21	33609-GK4-620	COLLAR, FR. WINKER .....	1	-----	-----	A1A,A2R,BHH,N1A,N7A1,N7S1
	91501-ZOL-800	COLLAR, FUEL COCK .....	1	-----	-----	A1AF,E1A2,N1AF,N5AF,N5MF,N5R,R3A,S1A,S1M,S3A,S3H
22	90041-ZOM-780	BOLT, STUD .....	1	-----	-----	N7A1,N7S1
23	90043-ZL8-000	BOLT, STUD .....	3			
24	90601-ZOM-003	CLIP, PURSE LOCK .....	1	-----	-----	N7A1,N7S1
25	90659-680-013	CLIP, WIRE HARNESS .....	1	-----	-----	N7A1,N7S1
26	93891-05010-08	SCREW-WASHER, 5X10 .....	1			
27	93894-05014-00	SCREW-WASHER, 5X14 .....	2	-----	-----	N7A1,N7S1
28	94050-06000	NUT, FLANGE, 6MM .....	1	-----	-----	N7A1,N7S1
29	95002-02080	CLIP, TUBE (B8) .....	2			
30	95002-02100	CLIP, TUBE (B10) .....	1	-----	-----	A1A,A1AF,A2R,BHH,E1A2,N1A,N1AF,N5AF,N5MF,N5R,R3A,S1A,S1M,S3A,S3H
			3	-----	-----	N7A1,N7S1
31	95002-45000	CLIP, TUBE (C8) .....	1	-----	-----	N7A1,N7S1
32	95002-50000	CLIP, TUBE (C9) .....	1	-----	-----	N7A1,N7S1
33	95002-70000	CLIP, TUBE (C11) .....	1			
34	95003-25021-20	TUBE, VINYL, 9X11X210 (95003-25001-10M)	1	-----	-----	N7A1,N7S1
35	95003-43009-20	TUBE, VINYL, 13X15X90 (95003-43001-10M)	1	-----	-----	N7A1,N7S1

# CARBURETOR



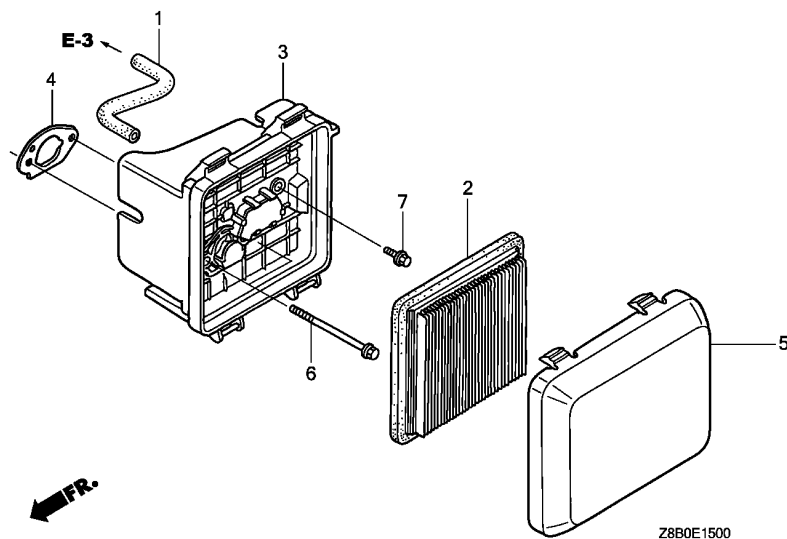
Ref. No.	Part No.	Description	Reqd. QTY		Serial No.	Parts catalogue code
			GCV 160 LA			
1	16010-883-015	PACKING SET .....	1			
2	16013-ZL1-003	FLOAT SET .....	1			
3	16015-887-782	CHAMBER SET, FLOAT .....	1			
4	16016-ZG0-W00	SCREW SET .....	1		----- A1A,A2R,BHH,E1A2,N1A,N7A1,N7S1	
5	16024-ZE1-811	SCREW SET, DRAIN .....	1			
6	16028-ZE0-005	SCREW SET .....	1			
7	16029-ZG0-901	SCREW SET (THROTTLE STOP) ...	1		----- A1A,A2R,BHH,E1A2,N1A,N7A1,N7S1	
8	16100-ZOL-003	CARBURETOR ASSY. (BB62W A) ..	1		----- A1A,A2R,BHH,E1A2,N1A	
	16100-ZOL-851	CARBURETOR ASSY. (BB62Z A) ..	1		----- R3A,S1A,S3A	
	16100-ZOL-861	CARBURETOR ASSY. (BB65A A) ..	1		----- A1AF,N1AF,N5AF,N5MF,N5R	
	16100-ZOL-871	CARBURETOR ASSY. (BB65E A) ..	1		----- S1M,S3H	
	16100-Z1L-003	CARBURETOR ASSY. (BB62Y A) ..	1		----- N7A1,N7S1	
9	16155-ZM0-013	VALVE, FLOAT .....	1			
10	16166-ZM0-003	NOZZLE, MAIN .....	1		----- A1A,A1AF,A2R,BHH,E1A2,N1A,N1AF,N5AF,N5MF,N5R,N7A1,N7S1,R3A,S1A,S3A	
	16166-ZOL-841	.....	1		----- S1M,S3H	
12	16210-ZOM-780	INSULATOR COMP., CARBURETOR ..	1		----- N7A1,N7S1	
13	16211-ZL8-000	INSULATOR, CARBURETOR .....	1		----- A1A,A1AF,A2R,BHH,E1A2,N1A,N1AF,N5AF,N5MF,N5R,R3A,S1A,S3A	
14	16212-ZL8-000	PACKING, INSULATOR .....	1			
15	16221-883-800	PACKING, CARBURETOR .....	2			
16	16228-ZL8-000	PACKING, CARBURETOR .....	1		----- A1A,A1AF,A2R,BHH,E1A2,N1A,N1AF,N5AF,N5MF,N5R,N7A1,N7S1,R3A,S1A,S3A	
	16228-ZOL-840	PACKING, CARBURETOR (CHOKE SIDE)	1		----- S1M,S3H	
18	16600-ZOL-840	CONTROL ASSY., CHOKE .....	1		----- S1M,S3H	
19	19650-ZM0-000	GUIDE COMP., AIR .....	1			
20	93500-05006-1H	SCREW, PAN, 5X6 .....	1			

# CARBURETOR



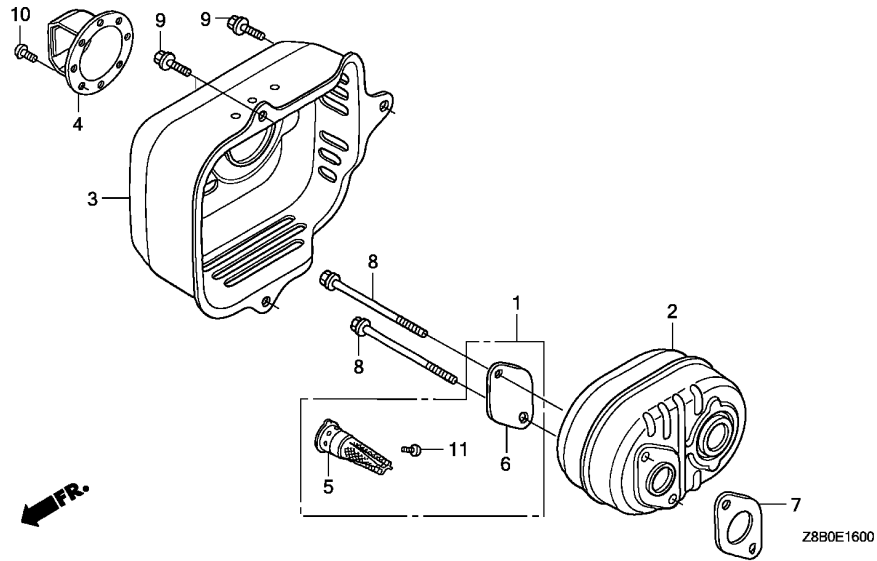
Ref. No.	Part No.	Description	Reqd. QTY		Serial No.	Parts catalogue code
			GCV 160 LA			
22	99101-124-0600	JET, MAIN, #60	(1)		-----	A1A,A1AF,A2R,BHH,E1A2,N1A,N1AF,N5AF,N5MF,N5R,N7A1,N7S1,R3A,S1A,S3A
	99101-124-0620	JET, MAIN, #62	(1)		-----	A1A,A1AF,A2R,BHH,E1A2,N1A,N1AF,N5AF,N5MF,N5R,N7A1,N7S1,R3A,S1A,S3A
	99101-124-0650	JET, MAIN, #65	1		-----	A1A,A1AF,A2R,BHH,E1A2,N1A,N1AF,N5AF,N5MF,N5R,N7A1,N7S1,R3A,S1A,S3A
					-----	S1M,S3H
	99101-124-0680	JET, MAIN, #68	(1)		-----	S1M,S3H
	99101-124-0700	JET, MAIN, #70	1		-----	S1M,S3H

# AIR CLEANER



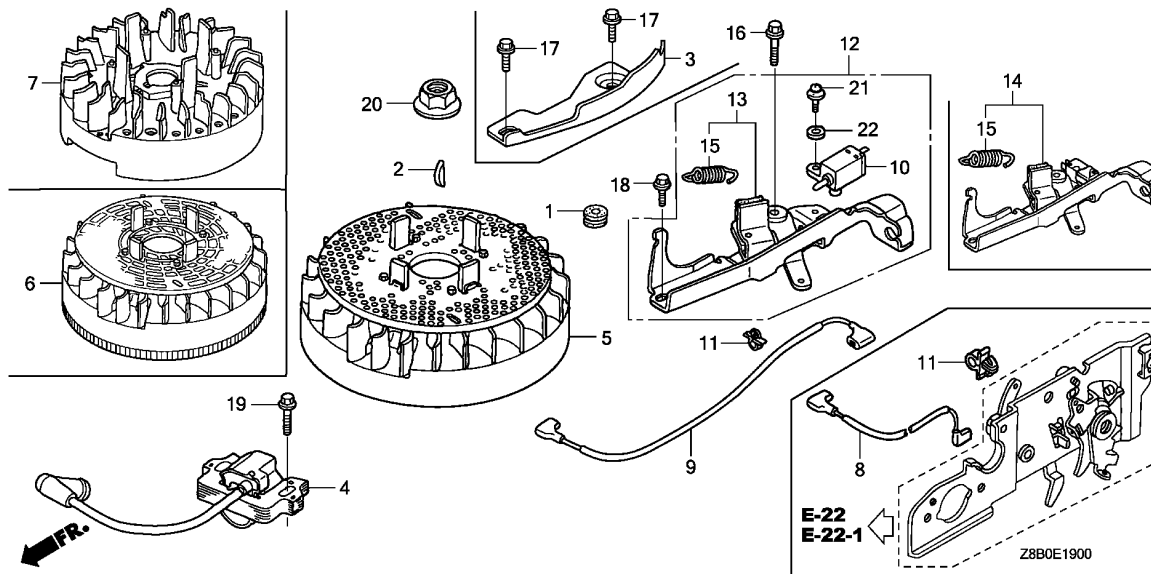
Ref. No.	Part No.	Description	Reqd. QTY		Serial No.	Parts catalogue code
			GCV	LA		
1	15721-ZM0-000	TUBE, BREATHER .....	1			
2	17211-ZL8-023	ELEMENT, AIR CLEANER .....	1			
3	17220-ZM0-000	CASE ASSY., AIR CLEANER .....	1			
4	17228-ZM0-000	PACKING, AIR CLEANER .....	1			
5	17231-Z0L-030	COVER, AIR CLEANER .....	1			
6	90003-ZM0-000	BOLT, FLANGE, 6X86(CT200) ...	2			
7	95701-06014-08	BOLT, FLANGE, 6X14 .....	1			

# MUFFLER



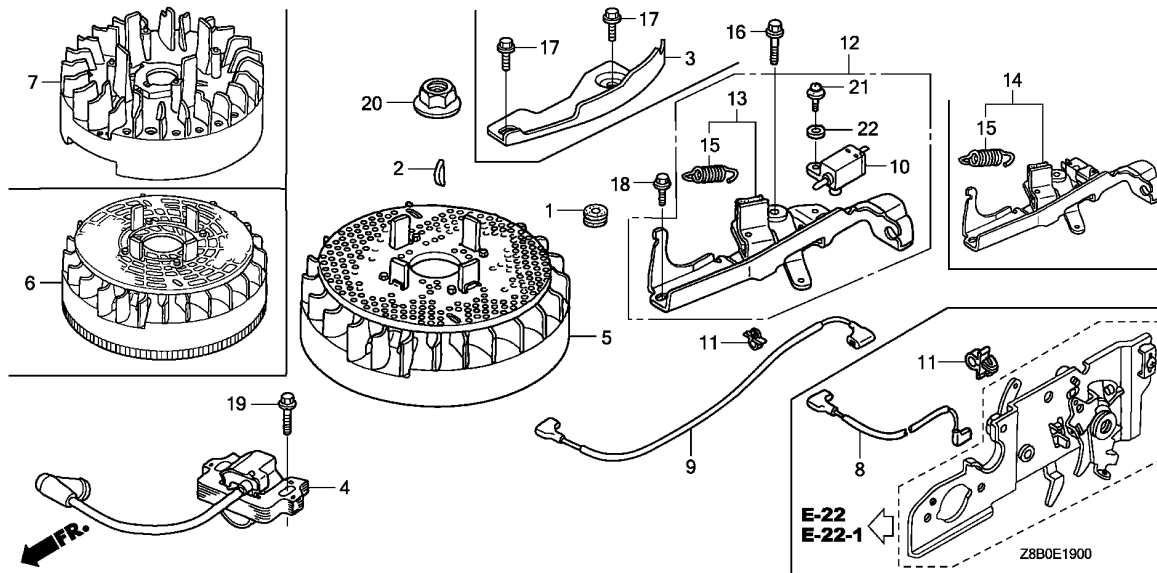
Ref. No.	Part No.	Description	Reqd. QTY		Serial No.	Parts catalogue code
			GCV 160 LA			
1	06180-Z0J-000	ARRESTER KIT, SPARK .....	(1)			
2	18310-ZM0-000	MUFFLER COMP. ....	1	-----	-----	A1AF,A2R,BHH,E1A2,N1A,N1AF,N5AF,N5MF,N7A1,N7S1,R3A,S1A,S1M,S3A
	18310-Z0Y-000	.....	1	-----	-----	A1A,N5R,S3H
3	18320-Z0M-780	PROTECTOR COMP., MUFFLER ....	1	-----	-----	N7A1,N7S1
	18321-Z0L-J00	PROTECTOR, MUFFLER .....	1	-----	-----	BHH,R3A,S1M,S3A,S3H
	18321-Z0L-000	.....	1	-----	-----	A1A,A1AF,A2R,E1A2,N1A,N1AF,N5AF,N5MF,N5R,S1A
4	18348-Z0L-000	CAP, MUFFLER .....	1	-----	-----	N5MF
5	18350-ZL8-000	ARRESTER COMP., SPARK .....	(1)			
6	18356-ZL8-000	PLATE, ARRESTER NUMBER .....	(1)			
7	18381-ZL8-305	GASKET, MUFFLER .....	(1)			
8	90004-ZL8-000	BOLT, FLANGE, 6X79(CT200) ...	2			
9	90013-883-000	BOLT, FLANGE, 6X12(CT200) ...	3			
10	90055-ZE1-000	SCREW, TAPPING, 4X6 .....	2	-----	-----	N5MF
11	90055-ZE1-000	SCREW, TAPPING, 4X6 .....	(1)			

# FLYWHEEL



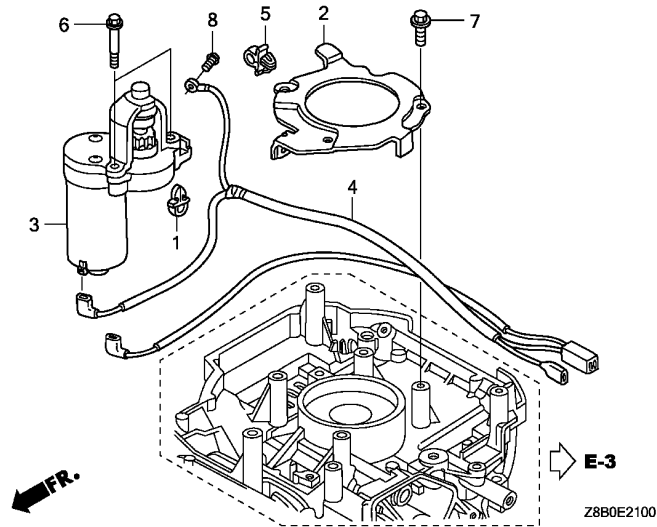
Ref. No.	Part No.	Description	Reqd. QTY		Serial No.	Parts catalogue code
			GCV	LA		
1	11344-MB0-000	GROMMET A, RR. COVER (8X16X6.6)	1		----- S1A,S3A	
2	13331-357-000	KEY, SPECIAL WOODRUFF, 25X18	1		-----	
3	19612-ZOL-000	PLATE, SIDE .....	1		----- A2R,BHH,N1A,N1AF,N5AF,N5MF,N5R,N7A1,N7S1	
4	30500-ZL8-004	COIL ASSY., IGNITION (TEC) (USE FOR F/W OF TEC)	1		----- A1A,A1AF,N7A1,N7S1,S1A,S1M,S3A,S3H	
	30500-ZOJ-003	COIL ASSY., IGNITION (PHELON) (USE FOR F/W OF PHELON)	1		----- A2R,BHH,E1A2,N1A,N1AF,N5AF,N5MF,N5R,R3A	
5	31105-ZM0-000	FLYWHEEL ASSY. (TEC) (USE FOR IGN. COIL OF TEC)	1		----- A1A,A1AF,N7A1,N7S1,S1A,S1M,S3A,S3H	
	31105-ZOJ-010	FLYWHEEL ASSY. (PHELON) (USE FOR IGN. COIL OF PHELON)	1		----- BHH	
6	31105-ZOL-821	FLYWHEEL ASSY. (PHELON) (USE FOR IGN. COIL OF PHELON)	1		----- E1A2,R3A	
7	31110-ZOJ-013	FLYWHEEL COMP. (PHELON) (USE FOR IGN. COIL OF PHELON)	1		----- A2R,N1A,N1AF,N5AF,N5MF,N5R	
8	32195-ZM0-800	CORD, STOP SWITCH .....	1		----- A2R,BHH,N1A,N7A1,N7S1	
9	32195-ZM0-800	CORD, STOP SWITCH .....	1		----- S1A,S3A	
	32195-ZOL-000	.....	1		----- A1A,A1AF,S1M,S3H	
10	35120-ZM0-003	SWITCH ASSY., ENGINE STOP (N.C)	1		----- A1A,A1AF,S1A,S1M,S3A,S3H	
11	51125-ZOL-003	HOLDER, WIRE (FASTEX) .....	1		----- A1A,A1AF,A2R,BHH,N1A,N5R,N7A1,N7S1,S1A,S1M,S3A,S3H	
	90681-959-003	CLIP A, CABLE (NIFCO) .....	1		----- A1A,A1AF,A2R,BHH,N1A,N5R,N7A1,N7S1,S1A,S1M,S3A,S3H	
12	75100-ZM0-000	BRAKE ASSY. ....	1		----- A1A,A1AF,S1M,S3H	
13	75110-ZOL-800	BRAKE SUB ASSY. ....	1		----- S1A,S3A	
14	75110-ZOL-821	BRAKE SUB ASSY. ....	1		----- E1A2,R3A	
15	75113-ZM0-000	SPRING, BRAKE LEVER .....	1		----- A1A,A1AF,E1A2,R3A,S1A,S1M,S3A,S3H	

# FLYWHEEL



Ref. No.	Part No.	Description	Reqd. QTY		Serial No.	Parts catalogue code
			GCV	LA		
16	90002-Z0L-820	BOLT, FLANGE, 6X23(CT200) ...	1	-----	-----	E1A2,R3A
	90018-ZE1-000	.....	1	-----	-----	A1A,A1AF,S1A,S1M,S3A,S3H
17	90013-883-000	BOLT, FLANGE, 6X12(CT200) ...	2	-----	-----	A2R,BHH,N1A,N1AF,N5AF,N5MF,N5R,N7A1,N7S1
18	90014-952-000	BOLT, FLANGE, 6X14(CT200) ...	1	-----	-----	A1A,A1AF,E1A2,R3A,S1A,S1M,S3A,S3H
19	90022-888-010	BOLT, FLANGE, 6X20(CT200) ...	1	-----	-----	
20	90201-878-003	NUT, SPECIAL, 14MM .....	1	-----	-----	
21	93892-04012-00	SCREW-WASHER, 4X12 .....	1	-----	-----	A1A,A1AF,S1A,S1M,S3A,S3H
22	94103-04000	WASHER, PLAIN, 4MM .....	1	-----	-----	A1A,A1AF,S1A,S1M,S3A,S3H

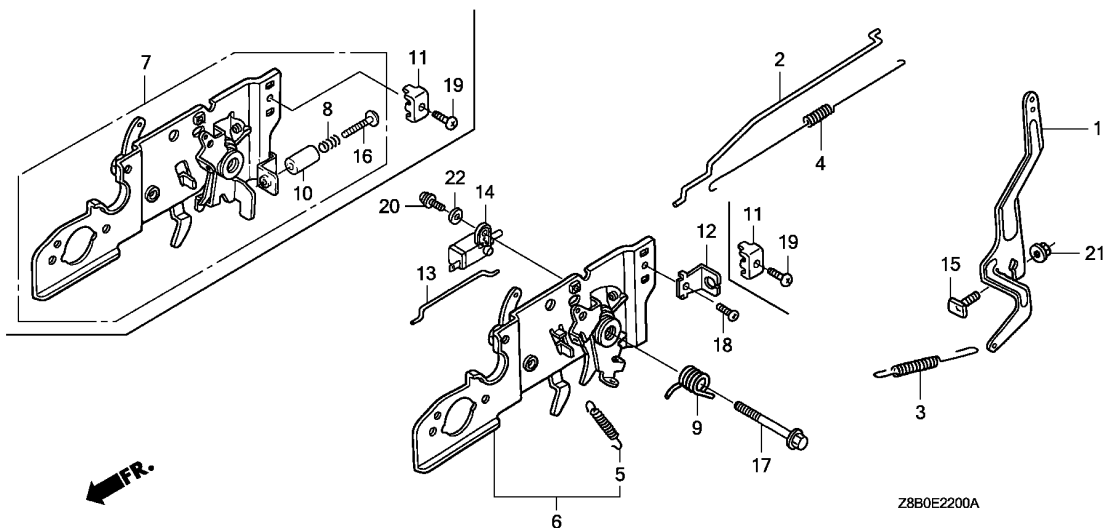
# STARTER MOTOR



Ref. No.	Part No.	Description	Reqd. QTY		Serial No.	Parts catalogue code
			GCV	LA		
1	22534-ZOL-820	HOLDER, WIRE .....	1	-----	-----	E1A2,R3A
2	30549-ZOL-820	CLAMPER, CORD .....	1	-----	-----	E1A2,R3A
3	31200-ZOL-821	MOTOR ASSY., STARTER .....	1	-----	-----	E1A2,R3A
4	32222-ZOL-820	CORD, TERMINAL EARTH .....	1	-----	-----	E1A2,R3A
5	51125-ZOL-003	HOLDER, WIRE (FASTEX) .....	1	-----	-----	E1A2
	90681-959-003	CLIP A, CABLE (NIFCO) .....	1	-----	-----	E1A2,R3A
6	90001-ZOL-820	BOLT, SPECIAL, 6MM .....	2	-----	-----	E1A2,R3A
7	90013-883-000	BOLT, FLANGE, 6X12(CT200) ...	3	-----	-----	E1A2,R3A
8	93500-05008-0A	SCREW, PAN, 5X8 .....	1	-----	-----	E1A2,R3A

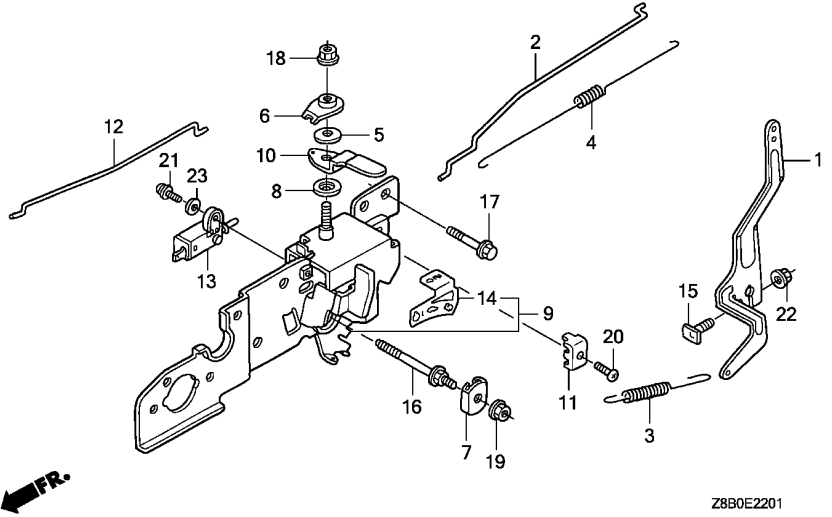


# CONTROL(1)



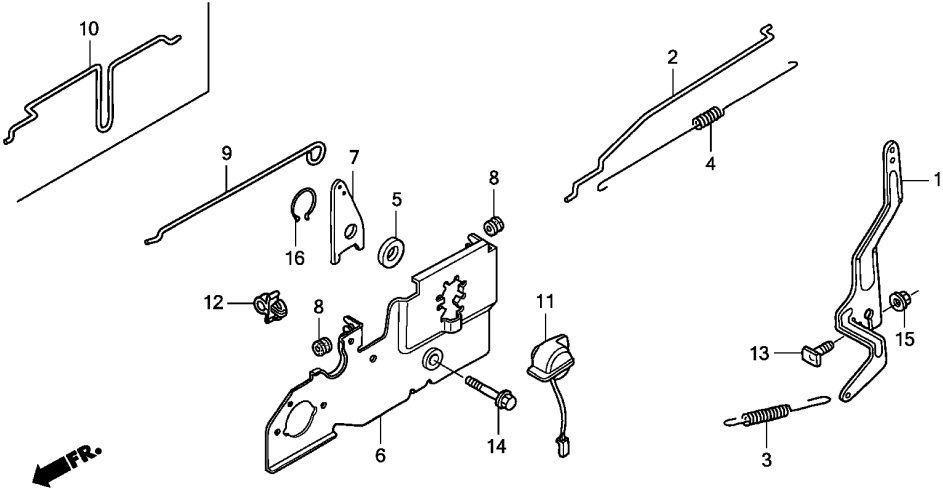
Ref. No.	Part No.	Description	Reqd. QTY		Serial No.	Parts catalogue code
			GCV	LA		
1	16551-ZM0-010	ARM, GOVERNOR .....	1	-----	-----	A1A,BHH,N7A1,N7S1
2	16555-ZOL-800	ROD, GOVERNOR .....	1	-----	-----	A1A,BHH,N7A1,N7S1
3	16561-ZM0-V30 16561-ZOL-000	SPRING, GOVERNOR .....	1	-----	-----	N7A1,N7S1 A1A,BHH
4	16562-ZM0-000	SPRING, THROTTLE RETURN .....	1	-----	-----	A1A,BHH,N7A1,N7S1
5	16576-ZE7-300	SPRING, LEVER .....	1	-----	-----	A1A,BHH
6	16580-ZM0-J22 16580-ZM0-020	BASE COMP., CONTROL .....	1	-----	-----	BHH A1A
7	16580-ZOM-780	BASE COMP., CONTROL .....	1	-----	-----	N7A1,N7S1
8	16584-883-300	SPRING, CONTROL ADJUSTING .....	1	-----	-----	N7A1,N7S1
9	16593-ZM0-000	SPRING, CONTROL LEVER RETURN .....	1	-----	-----	BHH
10	16599-ZG1-M10	COLLAR, STOPPER .....	1	-----	-----	N7A1,N7S1
11	16617-VG3-000	HOLDER, CABLE .....	1	-----	-----	A1A,N7A1,N7S1
12	16617-ZOL-800	HOLDER, CABLE .....	1	-----	-----	BHH
13	16674-ZM0-000	ROD, CHOKE .....	1	-----	-----	A1A,BHH,N7A1,N7S1
14	35120-ZL8-003	SWITCH ASSY., ENGINE STOP (N.O.)	1	-----	-----	BHH,N7A1,N7S1
15	90015-ZE5-010	BOLT, GOVERNOR ARM .....	1	-----	-----	A1A,BHH,N7A1,N7S1
16	90016-ZE7-W00	SCREW, RECESSED, 5X28 .....	1	-----	-----	N7A1,N7S1
17	90016-ZM0-000	BOLT, FLANGE, 6X45(CT200) .....	1	-----	-----	A1A,BHH,N7A1,N7S1
18	93500-05008-0A	SCREW, PAN, 5X8 .....	1	-----	-----	BHH
19	93500-05016-0A	SCREW, PAN, 5X16 .....	1	-----	-----	A1A,N7A1,N7S1
20	93892-04012-00	SCREW-WASHER, 4X12 .....	1	-----	-----	BHH,N7A1,N7S1
21	94050-06000	NUT, FLANGE, 6MM .....	1	-----	-----	A1A,BHH,N7A1,N7S1
22	94103-04000	WASHER, PLAIN, 4MM .....	1	-----	-----	BHH,N7A1,N7S1

# CONTROL(2)



Ref. No.	Part No.	Description	Reqd. QTY		Parts catalogue code
			GCV 160 LA	Serial No.	
1	16551-ZM0-010	ARM, GOVERNOR .....	1	-----	A2R,N1A
2	16555-Z0L-800	ROD, GOVERNOR .....	1	-----	A2R,N1A
3	16561-ZM0-V30	SPRING, GOVERNOR .....	1	-----	A2R,N1A
4	16562-ZM0-000	SPRING, THROTTLE RETURN .....	1	-----	A2R,N1A
5	16574-ZE1-000	SPRING, LEVER .....	1	-----	A2R,N1A
6	16575-ZE2-W00	WASHER, CONTROL LEVER .....	1	-----	A2R,N1A
7	16577-ZM0-V30	PLATE, LEVER CENTER .....	1	-----	A2R,N1A
8	16578-ZE1-000	SPACER, CONTROL LEVER .....	1	-----	A2R,N1A
9	16580-ZM0-V30	BASE COMP., CONTROL (###) ...	1	-----	A2R,N1A
10	16612-ZM0-V30	LEVER, CHOKE (###) .....	1	-----	A2R,N1A
11	16617-VG3-000	HOLDER, CABLE .....	1	-----	N1A
12	16674-ZM0-V30	ROD, CHOKE .....	1	-----	A2R,N1A
13	35120-ZL8-003	SWITCH ASSY., ENGINE STOP (N.O)	1	-----	A2R,N1A
14	87532-ZM0-V30	MARK, THROTTLE INDICATION ...	1	-----	A2R,N1A
15	90015-ZE5-010	BOLT, GOVERNOR ARM .....	1	-----	A2R,N1A
16	90016-ZM0-V30	BOLT, SPECIAL, 6X45 .....	1	-----	A2R,N1A
17	90017-883-000	BOLT, FLANGE, 6X32 .....	1	-----	A2R,N1A
18	90114-SA0-000	NUT, SELF-LOCK, 6MM .....	1	-----	A2R,N1A
19	90136-SM4-901	NUT, SELF-LOCK, 5MM .....	1	-----	A2R,N1A
20	93500-05016-0A	SCREW, PAN, 5X16 .....	1	-----	N1A
21	93892-04012-00	SCREW-WASHER, 4X12 .....	1	-----	A2R,N1A
22	94050-06000	NUT, FLANGE, 6MM .....	1	-----	A2R,N1A
23	94103-04000	WASHER, PLAIN, 4MM .....	1	-----	A2R,N1A

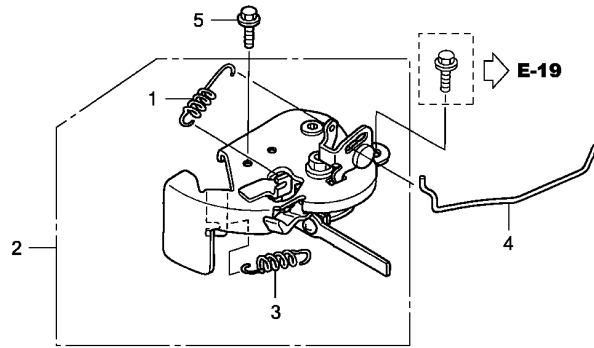
# CONTROL(3)



Z8B0E2202

Ref. No.	Part No.	Description	Reqd. QTY		Serial No.	Parts catalogue code
			GCV 160 LA			
1	16551-ZM0-010	ARM, GOVERNOR .....	1	-----	-----	A1AF,E1A2,N1AF,N5AF,N5MF,N5R,R3A,S1A,S1M,S3A,S3H
2	16555-ZOL-800	ROD, GOVERNOR .....	1	-----	-----	A1AF,E1A2,N1AF,N5AF,N5MF,N5R,R3A,S1A,S1M,S3A,S3H
3	16561-ZM0-V30	SPRING, GOVERNOR .....	1	-----	-----	N1AF,N5AF,N5MF,N5R
	16561-ZM0-000	.....	1	-----	-----	E1A2
	16561-ZOL-000	.....	1	-----	-----	A1AF,R3A,S1A,S1M,S3A,S3H
4	16562-ZM0-000	SPRING, THROTTLE RETURN .....	1	-----	-----	A1AF,E1A2,N1AF,N5AF,N5MF,N5R,R3A,S1A,S1M,S3A,S3H
5	16578-ZOL-810	SPACER, CONTROL LEVER .....	1	-----	-----	A1AF,E1A2
6	16580-ZOL-800	BASE COMP., CONTROL .....	1	-----	-----	N1AF,N5AF,N5MF,N5R
	16580-ZOL-810	.....	1	-----	-----	A1AF,E1A2,R3A,S1A,S1M,S3A,S3H
7	16612-ZOL-810	LEVER, CHOKE .....	1	-----	-----	A1AF,E1A2
8	16613-893-000	GROMMET, CHOKE ROD .....	1	-----	-----	A1AF,E1A2
		.....	2	-----	-----	N1AF,N5AF,N5MF,N5R
9	16674-ZOL-800	ROD, CHOKE .....	1	-----	-----	N1AF,N5AF,N5MF,N5R
10	16674-ZOL-810	ROD, CHOKE .....	1	-----	-----	A1AF,E1A2
11	35120-ZOL-801	SWITCH ASSY., ENGINE STOP ...	1	-----	-----	N1AF,N5AF,N5MF,N5R
12	51125-ZOL-003	HOLDER, WIRE (FASTEX) .....	1	-----	-----	N1AF,N5AF,N5MF,N5R
	90681-959-003	CLIP A, CABLE (NIFCO) .....	1	-----	-----	N1AF,N5AF,N5MF,N5R
13	90015-ZE5-010	BOLT, GOVERNOR ARM .....	1	-----	-----	A1AF,E1A2,N1AF,N5AF,N5MF,N5R,R3A,S1A,S1M,S3A,S3H
14	90016-ZE8-000	BOLT, FLANGE, 6X45(CT200) ...	1	-----	-----	A1AF,E1A2,N1AF,N5AF,N5MF,N5R,R3A,S1A,S1M,S3A,S3H
15	94050-06000	NUT, FLANGE, 6MM .....	1	-----	-----	A1AF,E1A2,N1AF,N5AF,N5MF,N5R,R3A,S1A,S1M,S3A,S3H
16	94511-14000	CIRCLIP, EXTERNAL, 14MM .....	1	-----	-----	A1AF,E1A2

# CHOKE BASE



**FR.** ←

Z880E2203

Ref. No.	Part No.	Description	Reqd. QTY		Serial No.	Parts catalogue code
			GCV 160 LA			
1	16592-Z2D-800	SPRING, RETURN .....	1	-----	-----	R3A,S1A,S3A
2	16610-Z2D-801	LEVER ASSY., CHOKE .....	1	-----	-----	R3A,S1A,S3A
3	16614-Z2D-800	SPRING, CHOKE LEVER .....	1	-----	-----	R3A,S1A,S3A
4	16632-Z0L-800	ROD, STOP .....	1	-----	-----	R3A,S1A,S3A
5	90022-888-010	BOLT, FLANGE, 6X20(CT200) ...	1	-----	-----	R3A,S1A,S3A